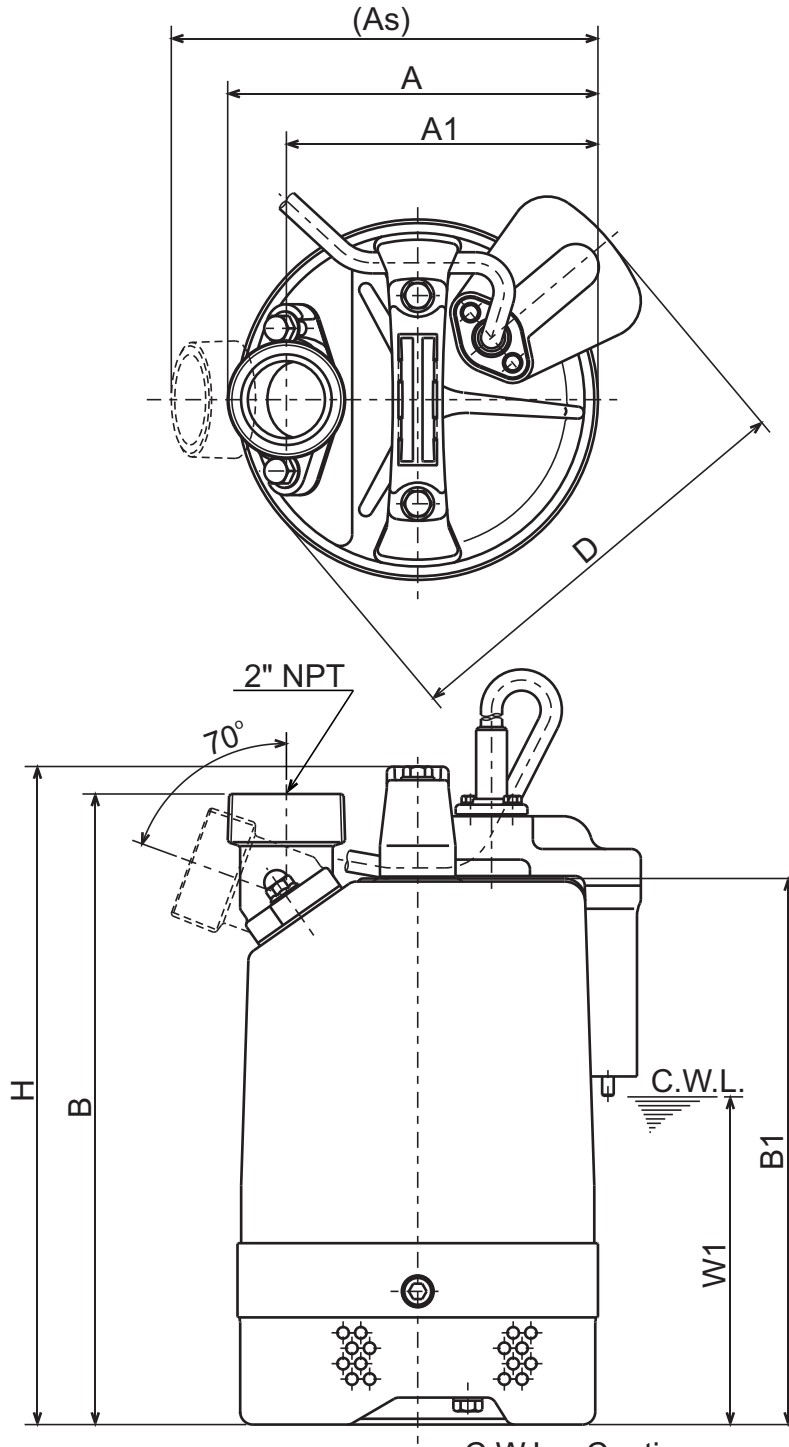




LB - SERIES
SEMI-VORTEX - DEWATERING PUMP (AUTO-TYPE)

DIMENSIONS

LB-800A-62



C.W.L. : Continuous running Water Level

DIMENSIONS:USCS (Inch)

Model	HP	NOM. SIZE	Pump & Motor							C.W.L. W1	Wt. (lbs.)
			A	As	A1	B	B1	D	H		
LB-800A-62	1	2"	7 9/16	8 11/16	6 3/8	12 7/8	11 1/8	8 3/4	13 7/16	6 3/4	30

DIMENSIONS:METRIC (mm)

Model	kW	NOM. SIZE	Pump & Motor							C.W.L. W1	Wt. (kg)
			A	As	A1	B	B1	D	H		
LB-800A-62	0.75	50	192	221	162	327	283	223	341	170	13.7